

STRAIGHT-LINE WINDOW WIPERS

TYPE ATLANTIC



SEEMATZ

The brand Seematz is part of the Pesch GmbH corporation, an innovative production company that exists since 1970. The company started to specialize in the production of heavy-duty searchlights in the '70s. Particularly, high reliability and always working products within the highly demanding environments was a precondition to the development of the Seematz searchlights, since the roughest conditions are to be found on open sea onboard seagoing vessels.

The many years of experience with Seematz searchlights were taken into account with the development of the straight line window wipers. Nowadays, with more than 45 years of experience gained in the maritime sector, Seematz offers searchlights and straight line window wipers of unparalleled quality and reliability. Theunissen Technical Trading is representing the Seematz searchlights and window wipers for the Benelux area since 1984.

Seematz straight line window wipers offer a perfect performance under all weather conditions. The perfect choice for owners of high performance vessels with high reliability demands. Type approved by Lloyds Register of Shipping and highly appreciated by our satisfied customers all around the world. If you choose Seematz window wipers you can be sure to get a one off system, tailor made to your vessel.



Why Seematz window wipers?

- Maximum window surface coverage
- Very low maintenance
- Robust technology
- Proven durability
- Housing of seawater resistant aluminium
- 45 years of experience



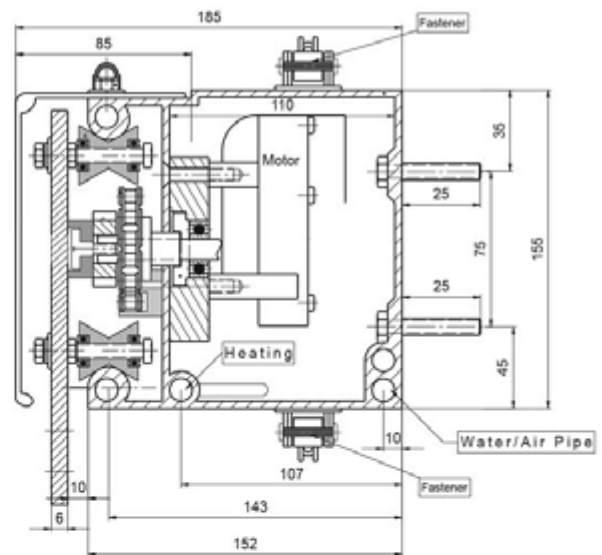
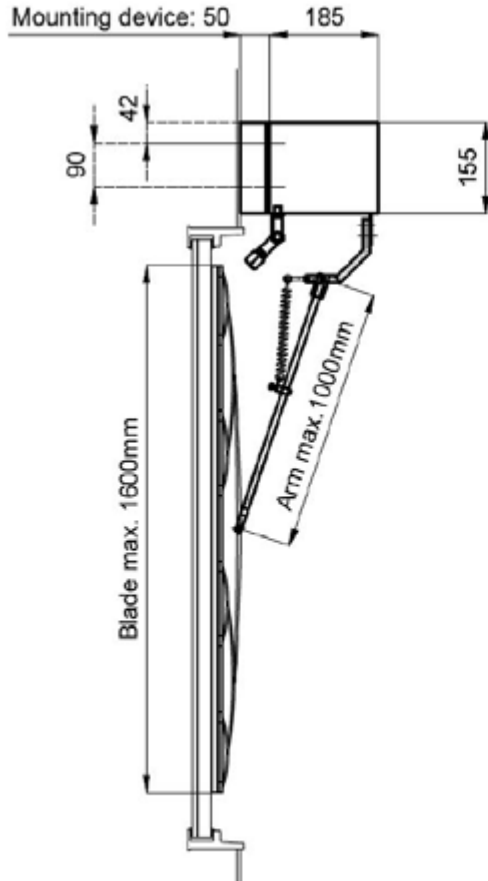
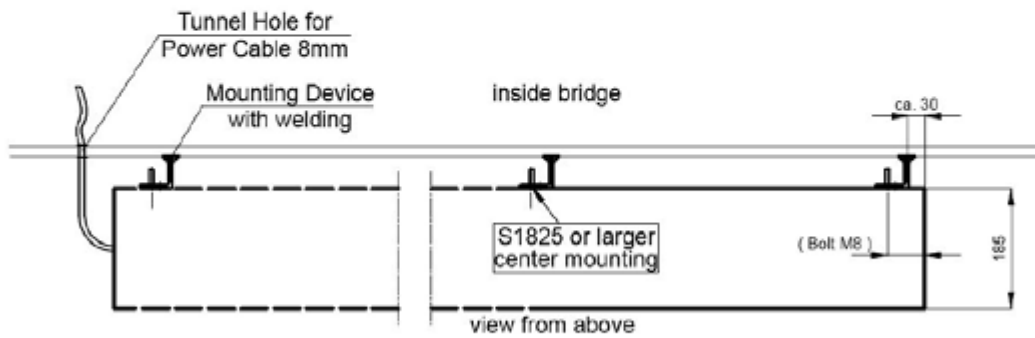
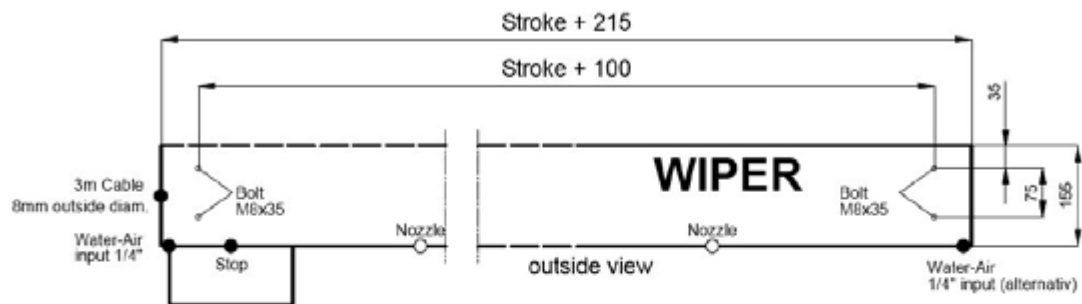
CHARACTERISTICS SEEMATZ WINDOW WIPERS

- Seawater resistant aluminium housing - standard white powder coated
- Stainless Steel transport system
- Two 24VDC motors for maximum torque
- Park position switch – inductive
- Railway heater for safe operation in cold areas
- Arms up to 1000mm length
- Wiper blades up to 1600mm length
- Housings up to 3600mm length
- Designed for input powers of 24VDC or 110/230VAC. Other input powers on request
- Different Multi-Speed controllers incl. BUS-Steering or Bridge-COM control
- Water/air spray system available (optional)
- Wiper housing available in all RAL colors
- Type approval by Lloyds Register
- Tested up to -60° Celsius

SEEMATZ WINDOW WIPER DESIGN

The Seematz wiper housing consists of seawater resistant aluminium Almg 3. All other metal parts are made of stainless steel or brass. All colored parts are powder coated. The transporter inside the housing is moved by two 24VDC motors. These motors are installed in a separate chamber of the wiper housing, so completely outside the wheelhouse.

As standard, the housing is fitted with a park switch, a 100W heating system and an overload protection. All wiper systems include the wiper arm, blade including rubber, 3m connection cable, D-Sub panel cable, power supply and control panel.



DIFFERENT TYPES

Seematz window wipers are available in three control types. The 'Atlantic' type is the basic version, commonly used in applications where a few control options are sufficient. The 'Ocean' type is the most popular type out of the three. It comes standard with a spray system, thermostat controlled heating and five interval and continuous speed options. The 'Pacific' type is the most extensive type and is often used on large vessels where a lot of control options are desirable.

Regardless of the wiper type, the wipers blades, arms and other parts of the wiper system are identical. The differences between the types are in the controlling possibilities as well as the number of wipers that can be connected to the system.

MODBUS

The control panels are made of well tested and heavy-duty buttons and connections. This allows for a simple connection and an easy and intuitive operation of the system.

All control panels for the wipers can be tailor made for your vessel/bridge layout. The 'Pacific' type also offers a connection to the bridge-COM system, this means that all connected wipers are controllable from the main control & monitoring panel on the bridge. This MODBUS connection is also tailor made for your vessel.

| | ATLANTIC | OCEAN | PACIFIC |
|--------------------------|--------------------------------|----------------------------|----------------------------|
| Individual wiper control | Standard | Standard | Standard |
| Group steering | | Standard | Standard |
| 'Single sweep' | | Standard | Standard |
| Intermittend mode's | 3x | 5x | 6x |
| Continuous speed's | 2 | 2 | 2 |
| Water/air spray system | Optional | Standard | Standard |
| Thermostat heating | Standard (not controllable) | Standard (controllable) | Standard (controllable) |
| Status LED | Standard | Standard | Standard |
| CVS and window heating | Optional | Optional | Optional |
| Max wipers per panel | 10 | 12* | 24 |

*Additional wipers possible on request

ATLANTIC TYPE

At customer request, Seematz designed the 'Atlantic' type. It is a economical combination of the reliable Seematz wipers with a relatively simple steering. The 'Atlantic' is therefore often used on smaller vessels where a reliable wiper system is required but fewer control options are sufficient.

The 'Atlantic' version includes a three step interval (5, 10, 15 sec.), two continuous speed levels and status control with LED's. Optional for this type is a water/air spray system (CSV) and thermostat control for the heating elements in the housing.

CONTROL PANELS

For the 'Atlantic' type there are four standard control panels. The type of control panel depends on the number of controlled wipers.

| No. wipers | Dimensions panel |
|------------|------------------|
| 1 wiper | 72 x 72 mm |
| 2 wipers | 144 x 72 mm |
| 3-6 wipers | 144 x 144 mm |
| 7-9 wipers | 216 x 144 mm |
| 10 wipers | 288 x 144 mm |



* Example of a controle panel, type 'Atlantic'